



Please help to find info about enries marked as *No info*

BVHINIT

minimal BVH, capable of writing via int 10h when booting

Ordinal	Name	Desc	Status
1	CHARFONTEND		
2	ACCESSREGISTER		
3	DEVENABLE	Fills the entries in the Call Vector Table for all of the functions supported by this BVH. It is called as a subfunction of the Presentation Manager enable function entry point	

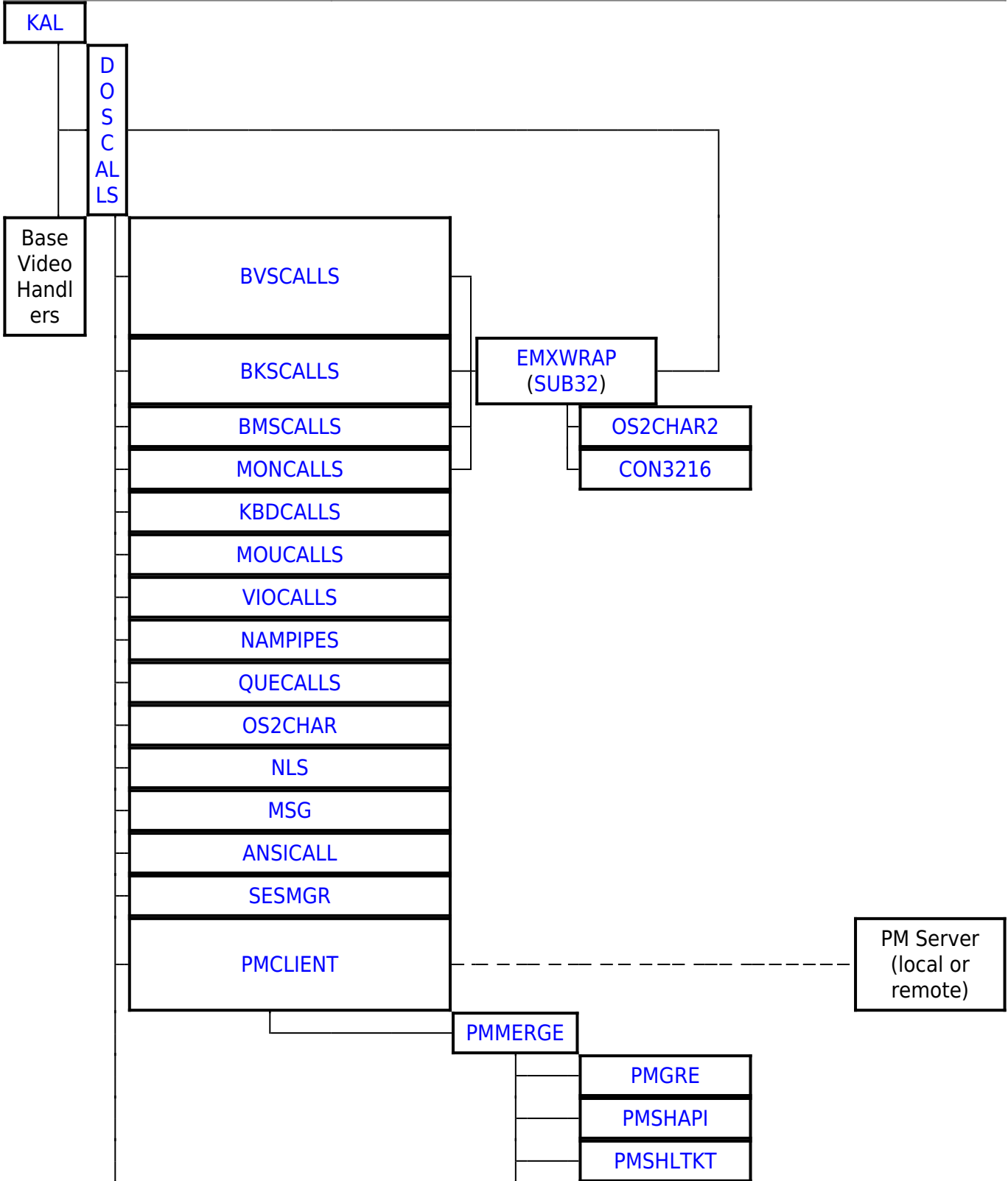
BVH functions (initialized via DevEnable)

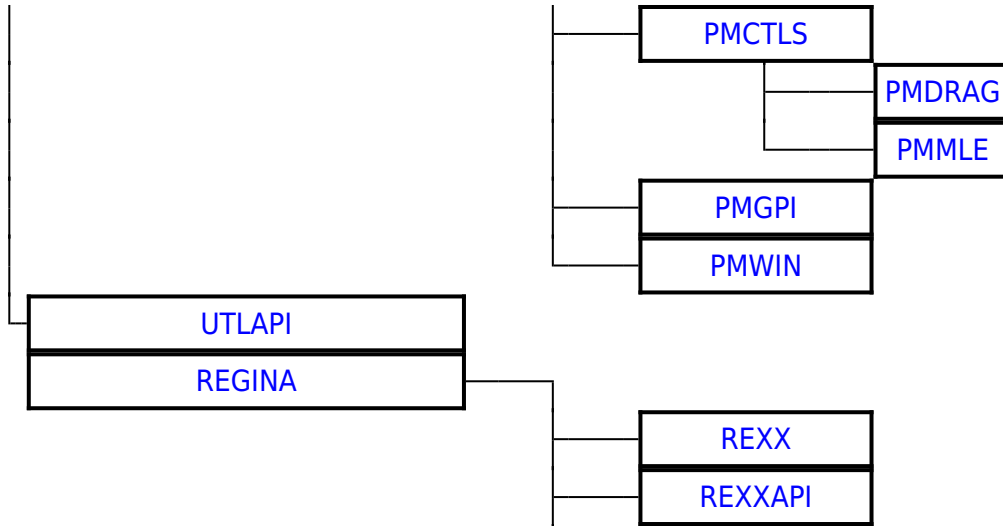
Number	Name	Desc	Status
100h (256)	Function 100h	Text Buffer Update	
101h (257)	Function 101h	Initialize Environment	
102h (258)	Function 102h	Save Environment	
103h (259)	Function 103h	Restore Environment	
104h (260)	Function 104h	Query Config Info	
105h (261)	Function 105h	DBCS Display Info	
108H (264)	Function 108h	Query Cursor Info	
109H (265)	Function 109h	Set Cursor Info	
10CH (268)	Function 10Ch	Query Mode	
10DH (269)	Function 10Dh	Set Mode	
112H (274)	Function 112h	Query Variable Info	
113H (275)	Function 113h	Set Variable Info	
117H (279)	Function 117h	Query LVB Info	
118H (280)	Function 118h	Get video state	
119H (281)	Function 119h	Set video state	

OS/2 DLLs

Base API	DOSCALLS EMXWRAP SUB32 ANSICALL NLS MSG MONCALLS KBDCALLS MOUCALLS VIOCALLS SESMGR BKSCALLS BMSCALLS BVSCALLS NAMPIPES QUECALLS OS2CHAR
Bidirectional NLS	BDCALLS BDCALLS32 BDIME BDBVH BDVIEW BDWPCLS BIDIPM PMBIDI
Unicode API	UCONV UNIKBD LIBUNI
BVH (Base Video Handlers)	BVHINIT BVHMPA BVHVGGA BVHVSVA BVHWNDW
GRADD subsystem	VMAN SOFTDRAW GRE2VMAN GENGRADD
IPF (Information Presentation facility)	HELPMGR HPMGRMRI MINXOBJ IBMHMGR NEWVIEW MINXMRI ERRTXT
REXX	REXX REXXAPI REXXUTIL REGINA
The core PM DLL's	PMMERGE PMMRGRES PMSHAPI PMSHLTKT PMGRE PMGPI PMDRAG PMCTLS PMMLE PMSPL PMVIOP PMWIN

OS/2 DLLs	
Open32	PMWINX MIRRORS REGISTRY
Intelligent Font Interface drivers	PMATM TRUETYPE PMUNIF FREETYPE PMPRE
Data Exchange	PMCLIP PMDDE PMDDEML
VDM PM interface	PMVDMH PMVDMP SEAMLESS SHIELD
WPS	PMWP PMWPMRU PMVDDROP
Miscellaneous	PMPIC PMTKT MVDM
SOM API	SOM SOMC





2016/07/25 02:16 · prokushev · 0 Comments

From:
<https://osfree.org/doku/> - **osFree wiki**

Permanent link:
<https://osfree.org/doku/doku.php?id=en:docs:os2:modules:bvhinit>

Last update: **2018/08/07 07:03**

