



MOUCALLS

This forwarder DLL to DOSCALLS.DLL.

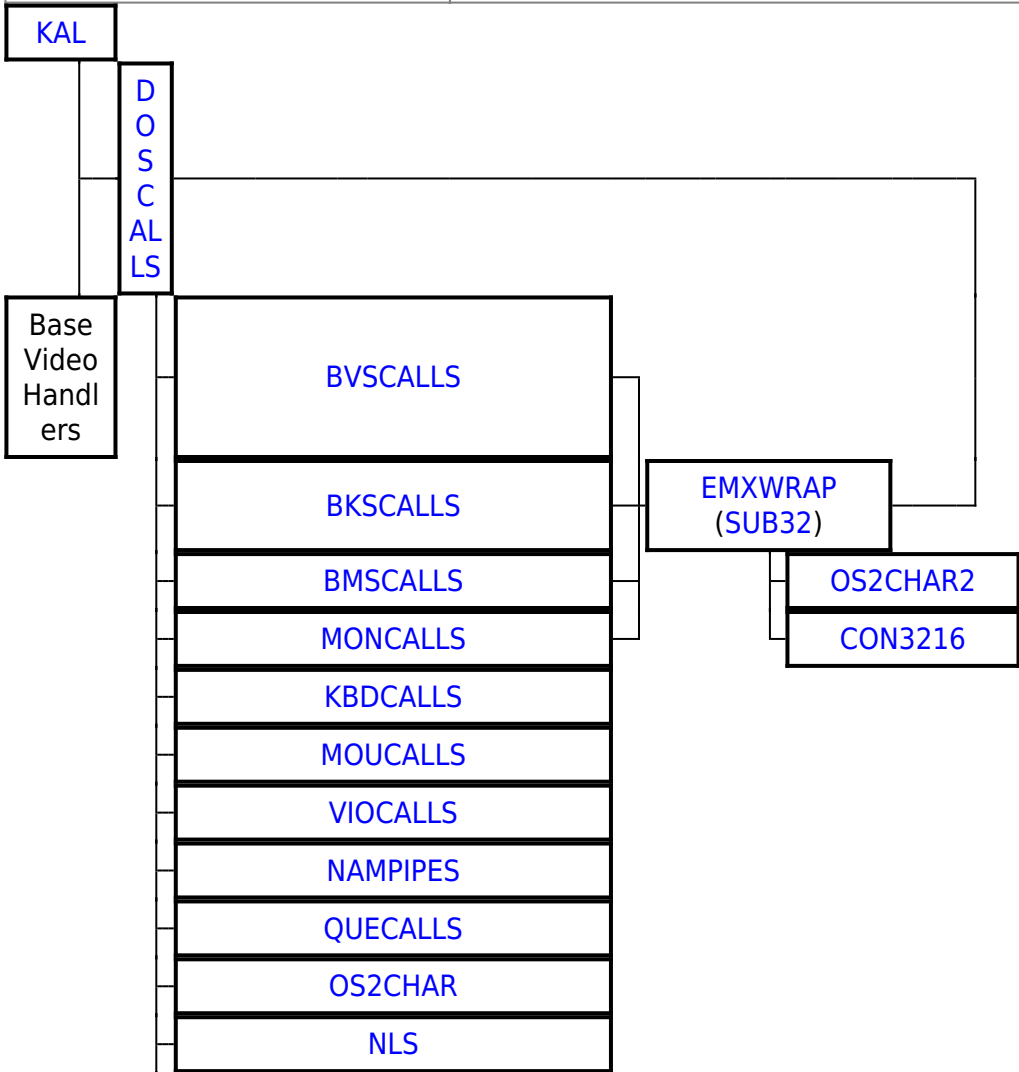
Entry points

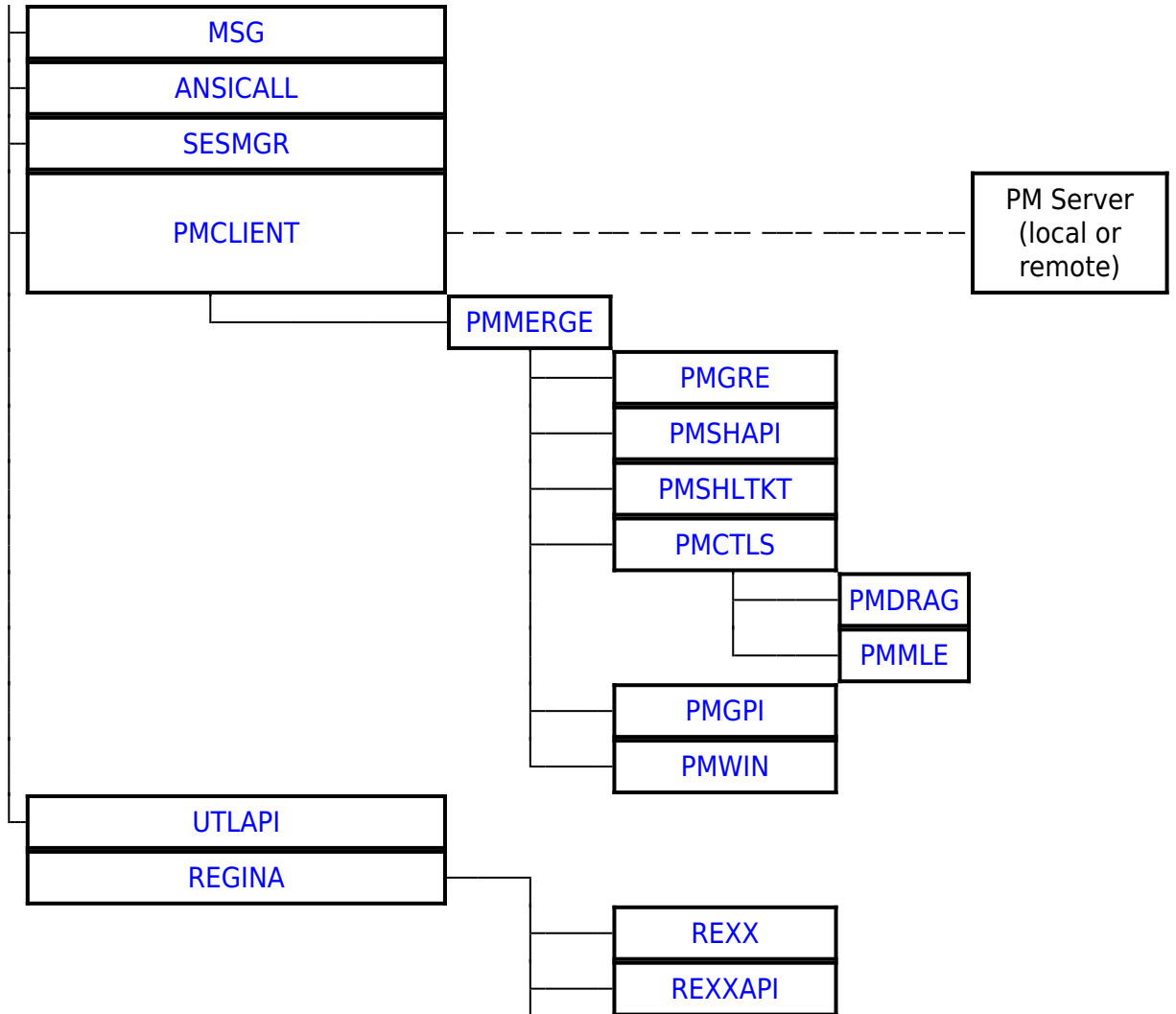
Ordinal	Name	Description	Status	FAPI	Version
1	MouGetPtrShape	Forwarder to DOSCALLS.719	Done	No	1.0
2	MouSetPtrShape	Forwarder to DOSCALLS.720	Done	No	1.0
3	MouGetNumMickeyes	Forwarder to DOSCALLS.721	Done	No	1.0
4	MouGetHotKey	Forwarder to DOSCALLS.853	Done	No	1.0
5	MouShellInit	Forwarder to DOSCALLS.723	Done	No	
6	MouGetScaleFact	Forwarder to DOSCALLS.724	Done	No	1.0
7	MouFlushQue	Forwarder to DOSCALLS.725	Done	No	1.0
8	MouGetNumButtons	Forwarder to DOSCALLS.726	Done	No	1.0
9	MouClose	Forwarder to DOSCALLS.727	Done	No	1.0
10	MouSetHotKey	Forwarder to DOSCALLS.853	Done	No	1.0
11	MouSetScaleFact	Forwarder to DOSCALLS.729	Done	No	1.0
13	MouGetNumQueEl	Forwarder to DOSCALLS.730	Done	No	1.0
14	MouDeRegister	Forwarder to DOSCALLS.731	Done	No	1.0
15	MouGetEventMask	Forwarder to DOSCALLS.732	Done	No	1.0
16	MouSetEventMask	Forwarder to DOSCALLS.733	Done	No	1.0
17	MouOpen	Forwarder to DOSCALLS.734	Done	No	1.0
18	MouRemovePtr	Forwarder to DOSCALLS.735	Done	No	1.0
19	MouGetPtrPos	Forwarder to DOSCALLS.736	Done	No	1.0
20	MouReadEventQue	Forwarder to DOSCALLS.737	Done	No	1.0
21	MouSetPtrPos	Forwarder to DOSCALLS.738	Done	No	1.0
22	MouGetDevStatus	Forwarder to DOSCALLS.739	Done	No	1.0
23	MouSynch	Forwarder to DOSCALLS.740	Done	No	1.0
24	MouRegister	Forwarder to DOSCALLS.741	Done	No	1.0
25	MouSetDevStatus	Forwarder to DOSCALLS.742	Done	No	1.0
26	MouDrawPtr	Forwarder to DOSCALLS.743	Done	No	1.0
27	MouInitReal	Forwarder to DOSCALLS.744	Done	No	1.0
29	MouGetThreshold	Forwarder to DOSCALLS.722	Done	No	
30	MouSetThreshold	Forwarder to DOSCALLS.728	Done	No	

MouFree.12 is absent in latest OS/2 DLLs

Versions

OS/2 DLLs	
Base API	DOSCALLS EMXWRAP SUB32 ANSICALL NLS MSG MONCALLS KBDCALLS MOUCALLS VIOCALLS SESMGR BKSCALLS BMSCALLS BVSCALLS NAMPIPES QUECALLS OS2CHAR
Bidirectional NLS	BDCALLS BDCALLS32 BDIME BDBVH BDVIEW BDWPCLS BIDIPM PMBIDI
Unicode API	UCONV UNIKBD LIBUNI
BVH (Base Video Handlers)	BVHINIT BVHMPA BVHVGGA BVHSVGGA BVHWNDW
GRADD subsystem	VMAN SOFTDRAW GRE2VMAN GENGRADD
IPF (Information Presentation facility)	HELPMGR HPMGRMRI MINXOBJ IBMHMGR NEWVIEW MINXMRI ERRTXT
REXX	REXX REXXAPI REXXUTIL REGINA
The core PM DLL's	PMMERGE PMMRGRES PMSHAPI PMSHLTKT PMGRE PMGPI PMDRAG PMCTLS PMMLE PMSPL PMVIOP PMWIN
Open32	PMWINX MIRRORS REGISTRY
Intelligent Font Interface drivers	PMATM TRUETYPE PMUNIF FREETYPE PMPRE
Data Exchange	PMCLIP PMDDE PMDDEML
VDM PM interface	PMVDMH PMVDMP SEAMLESS SHIELD
WPS	PMWP PMWPMRU PMVDDROP
Miscellaneous	PMPIC PMTKT MVDM
SOM API	SOM SOMC





2016/07/25 02:16 · prokushev · 0 Comments

OS/2 API		
DOS	Process Manager	DosBeep DosExit DosSleep DosExecPgm
	File Manager	DosChDir DosChgFilePtr DosClose DosDelete DosDupHandle DosMkDir DosMove DosQCurDir dos16qcurdisk DosSetFileMode DosOpen DosQFileInfo DosRead DosQFileMode DosQFSInfo DosQVerify DosRmdir DosSelectDisk DosFindClose DosFindFirst DosFindNext DosSetFileInfo DosSetVerify DosWrite DosFileLocks DosSetFHandState DosNewSize DosBufReset DosQFHandState DosSetFSInfo
	Memory Manager	DosFreeSeg DosSubAlloc DosSubFree DosSubSet DosAllocHuge DosAllocSeg DosReallocHuge DosReallocSeg DosGetHugeShift DosCreateCSAlias
	NLS	DosCaseMap DosGetCtryInfo DosGetDBCSEv DosSetCtryCode DosGetCollate
	Date and Time	DosSetDateTime DosGetDateTime
	Devices	DosDevConfig DosDevIOctl
	Signals	DosHoldSignal DosSetSigHandler
	Misc	DosGetEnv DosGetMachineMode DosGetMessage DosGetVersion DosInsMessage DosPutMessage DosError DosErrClass DosSetVec
Keyboard Router	KbdCharIn KbdFlushBuffer KbdGetStatus KbdSetStatus KbdStringIn KbdPeek	

OS/2 API	
Video Router	VioGetBuf VioGetCurPos VioGetCurType VioGetPhysBuf VioReadCellStr VioReadCharStr VioScrollDn VioScrollLf VioScrollRt VioScrUnLock VioSetCurPos VioSetCurType VioSetMode VioShowBuf VioWrtCellStr VioWrtCharStr VioWrtCharStrAtt VioWrtNAttr VioWrtNCell VioWrtNChar VioWrtTTY VioScrLock VioGetCP
Mouse Router	
Presentation Manager	
Workplace Shell	
REXX	
MMIO/2	
Tools	
Modules	Modules list
Libraries	DOSCALLS.LIB OS2.LIB PMMLE.LIB REXX.LIB RXSTRING.LIB OS2286.LIB OS2386.LIB PMBIND.LIB

2018/09/05 06:19 · [prokushev](#) · [0 Comments](#)

From: <http://yf2xankbjprn7xs2pd67xix7idfqyxbbl2zul3dgwln2wwefqjsa.b32.i2p/doku/> - [osFree wiki](#)

Permanent link: <http://yf2xankbjprn7xs2pd67xix7idfqyxbbl2zul3dgwln2wwefqjsa.b32.i2p/doku/doku.php?id=en:docs:os2:modules:moucalls>

Last update: **2021/10/02 13:08**

