



NLS

This is not real code, only forwarders to [DOSCALLS.DLL](#).

Entry points

Ordinal	Name	Description	Status	FAPI	Version
1	DosCaseMap	Forwarder to DOSCALLS.391	Done	Yes	1.0
2	DosGetCollate	Forwarder to DOSCALLS.392	Done	Yes	1.0
3	DosGetCtryInfo	Forwarder to DOSCALLS.393	Done	Yes	1.0
4	DosGetDBCSEv	Forwarder to DOSCALLS.394	Done	Yes	1.0
5	DosQueryCtryInfo	Forwarder to DOSCALLS.395	Done	No	
6	DosQueryDBCSEnv	Forwarder to DOSCALLS.396	Done	No	
7	DosMapCase	Forwarder to DOSCALLS.397	Done	No	
8	DosQueryCollate	Forwarder to DOSCALLS.398	Done	No	

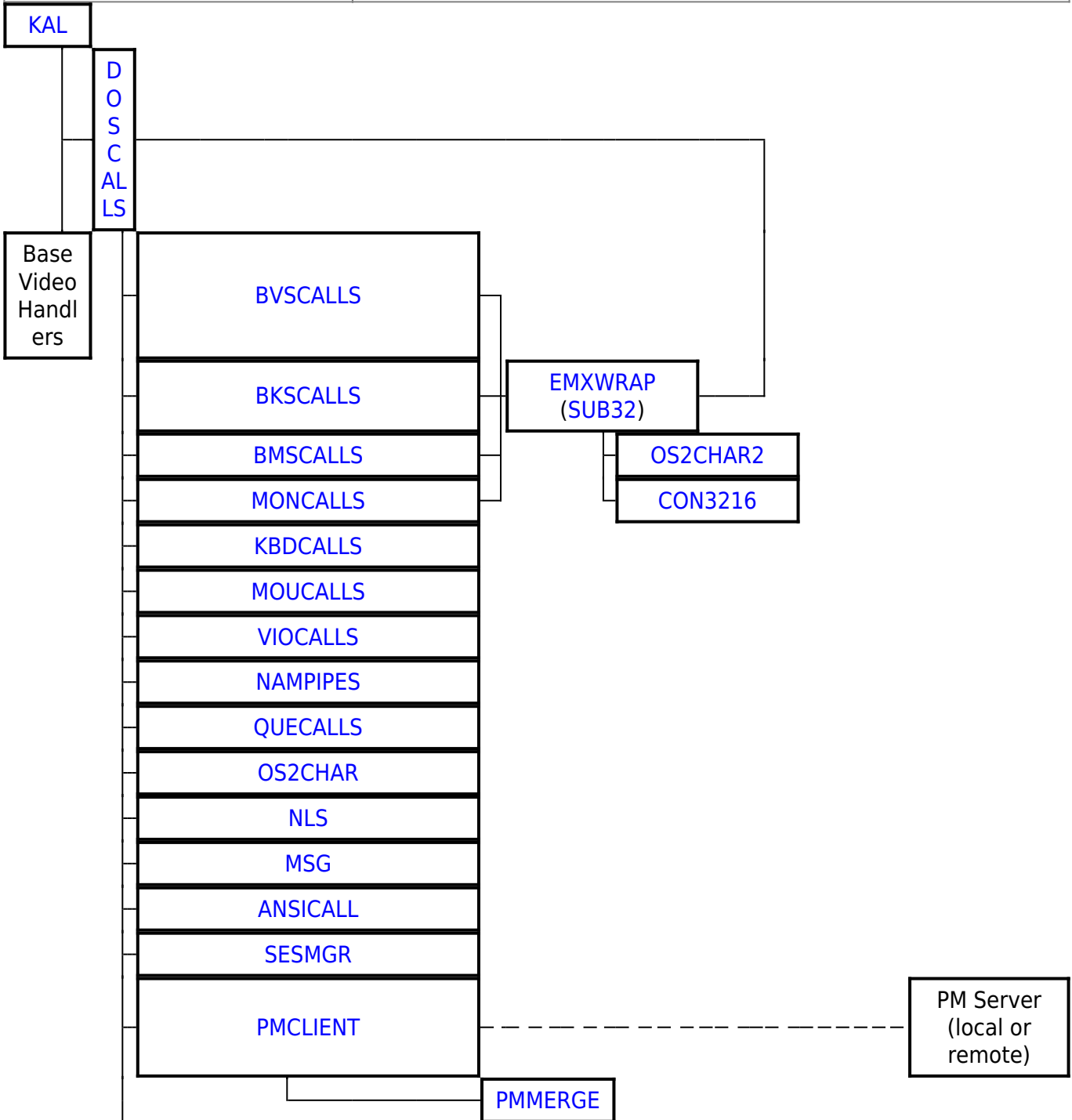
Versions

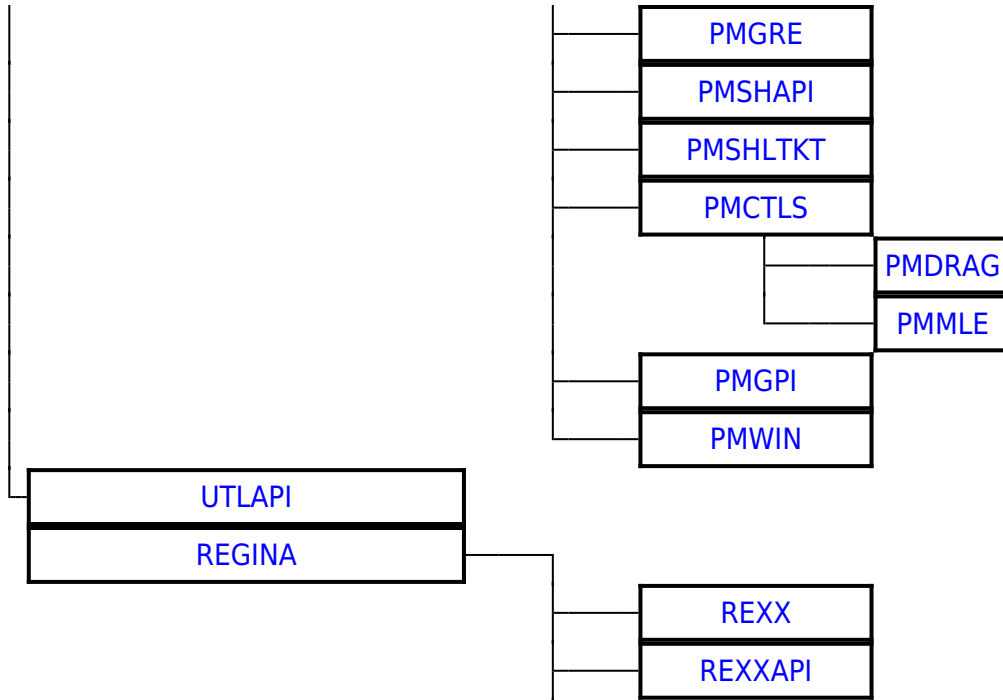
Date&Time	SHA1	BldLevel/Version	Size	Comments
2012-02-02 10:27		14.100	589 bytes	osFree National Language Support API
2002-03-08 20:16		N/A	512 bytes	
1992-02-07 01:17	0b3dd7a8a723f7af38f5fb4c0f03980b1e29b7fd	N/A	4,023 bytes	IBM OS/2 SDK 1.3 CSD1
1988-08-08 00:00	b5105c0d97d3722f4d8e02d275f342f56b7432e3	N/A	4,166 bytes	MS OS/2 SDK 1.05
1987-12-15 00:00	76f78acd4395b144589d1b46a00b9df0cc3194d7	N/A	5,162 bytes	MS OS/2 SDK 1.02
1987-10-21 00:00			?? bytes	MS OS/2 1.0

OS/2 DLLs

Base API	DOSCALLS EMXWRAP SUB32 ANSICALL NLS MSG MONCALLS KBDSCALLS MOUCALLS VIOCALLS SESMGR BKSCALLS BMSCALLS BVSCALLS NAMPIPES QUECALLS OS2CHAR
Bidirectional NLS	BDCALLS BDCALLS32 BDIME BDBVH BDVIEW BDWPCLS BIDIPM PMBIDI
Unicode API	UCONV UNIKBD LIBUNI
BVH (Base Video Handlers)	BVHINIT BVHMPA BVHVGGA BVHVSVA BVHWNDW
GRADD subsystem	VMAN SOFTDRAW GRE2VMAN GENGRADD

OS/2 DLLs	
IPF (Information Presentation facility)	HELPMGR HPMGRMRI MINXOBJ IBMHMGR NEWVIEW MINXMRI ERRTXT
REXX	REXX REXXAPI REXXUTIL REGINA
The core PM DLL's	PMMERGE PMMRGRES PMSHAPI PMSHLTKT PMGRE PMGPI PMDRAG PMCTLS PMMLE PMSPL PMVIOP PMWIN
Open32	PMWINX MIRRORS REGISTRY
Intelligent Font Interface drivers	PMATM TRUETYPE PMUNIF FREETYPE PMPRE
Data Exchange	PMCLIP PMDDE PMDDEML
VDM PM interface	PMVDMH PMVDMP SEAMLESS SHIELD
WPS	PMWP PMWPMRU PMVDDROP
Miscellaneous	PMPIC PMTKT MVDM
SOM API	SOM SOMC





2016/07/25 02:16 · prokushev · 0 Comments

OS/2 API

DOS	Process Manager	DosBeep DosExit DosSleep DosExecPgm
	File Manager	DosChDir DosChgFilePtr DosClose DosDelete DosDupHandle DosMkDir DosMove DosQCurDir dos16qcurdisk DosSetFileMode DosOpen DosQFileInfo DosRead DosQFileMode DosQFSInfo DosQVerify DosRmDir DosSelectDisk DosFindClose DosFindFirst DosFindNext DosSetFileInfo DosSetVerify DosWrite DosFileLocks DosSetFHandState DosNewSize DosBufReset DosQFHandState DosSetFSinfo
	Memory Manager	DosFreeSeg DosSubAlloc DosSubFree DosSubSet DosAllocHuge DosAllocSeg DosReallocHuge DosReallocSeg DosGetHugeShift DosCreateCSAlias
	NLS	DosCaseMap DosGetCtryInfo DosGetDBCSEv DosSetCtryCode DosGetCollate
	Date and Time	DosSetDateTime DosGetDateTime
	Devices	DosDevConfig DosDevIOctl
	Signals	DosHoldSignal DosSetSigHandler
	Misc	DosGetEnv DosGetMachineMode DosGetMessage DosGetVersion DosInsMessage DosPutMessage DosError DosErrClass DosSetVec
Keyboard Router		KbdCharIn KbdFlushBuffer KbdGetStatus KbdSetStatus KbdStringIn KbdPeek
Video Router		VioGetBuf VioGetCurPos VioGetCurType VioGetPhysBuf VioReadCellStr VioReadCharStr VioScrollDn VioScrollLf VioScrollRt VioScrUnLock VioSetCurPos VioSetCurType VioSetMode VioShowBuf VioWrtCellStr VioWrtCharStr VioWrtCharStrAtt VioWrtNAttr VioWrtNCell VioWrtNChar VioWrtTTY VioScrLock VioGetCP
Mouse Router		
Presentation Manager		
Workplace Shell		
REXX		

OS/2 API	
MMIO/2	
Tools	
Modules	Modules list
Libraries	DOSCALLS.LIB OS2.LIB PMMLE.LIB REXX.LIB RXSTRING.LIB OS2286.LIB OS2386.LIB PMBIND.LIB

2018/09/05 06:19 · prokushev · [0 Comments](#)

Family API		
DOS	Process Manager	DosBeep DosExit DosSleep DosExecPgm
	File Manager	DosChDir DosChgFilePtr DosClose DosDelete DosDupHandle DosMkDir DosMove DosQCurDir DosQCurDisk DosSetFileMode DosOpen DosQFileInfo DosRead DosQFileMode DosQFSInfo DosQVerify DosRmDir DosSelectDisk DosFindClose DosFindFirst DosFindNext DosSetFileInfo DosSetVerify DosWrite DosFileLocks DosSetFHandState DosNewSize DosBufReset DosQFHandState DosSetFSinfo DosShutdown
	Memory Manager	DosFreeSeg DosSubAlloc DosSubFree DosSubSet DosAllocHuge DosAllocSeg DosReallocHuge DosReallocSeg DosGetHugeShift DosCreateCSAlias
	NLS	DosCaseMap DosGetCtryInfo DosGetDBCSEv DosSetCtryCode DosGetCollate DosGetMessage DosInsMessage DosPutMessage
	Date and Time	DosSetDateTime DosGetDateTime
	Devices	DosDevConfig DosDevIOCtl DosDevIOCtl2
	Signals	DosHoldSignal DosSetSigHandler
	Misc	BadDynLink DosGetEnv DosGetMachineMode DosGetVersion DosError DosErrClass DosSetVec
KBD	KbdCharIn KbdFlushBuffer KbdGetStatus KbdSetStatus KbdStringIn KbdPeek	
VIO	VioGetBuf VioGetConfig VioGetCurPos VioGetCurType VioGetPhysBuf VioReadCellStr VioReadCharStr VioScrollUp VioScrollDn VioScrollLf VioScrollRt VioScrUnLock VioSetCurPos VioSetCurType VioSetMode VioGetMode VioShowBuf VioWrtCellStr VioWrtCharStr VioWrtCharStrAtt VioWrtNAttr VioWrtNCell VioWrtNChar VioWrtTTY VioScrLock VioPopUp	
Tools	BIND	
Modules	DOSCALLS.DLL VIOCALLS.DLL KBDCALLS.DLL MSG.DLL	
Libraries	API.LIB OS2386.LIB FAPI.LIB DOSCALLS.LIB SUBCALLS.LIB	

2018/08/25 15:05 · prokushev · [0 Comments](#)

From: <https://osfree.org/doku/> - **osFree wiki**

Permanent link: <https://osfree.org/doku/doku.php?id=en:docs:os2:modules:nls>

Last update: **2018/09/07 13:16**

